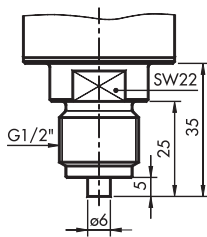
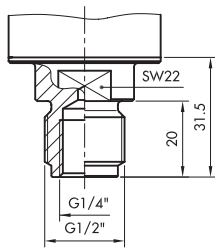
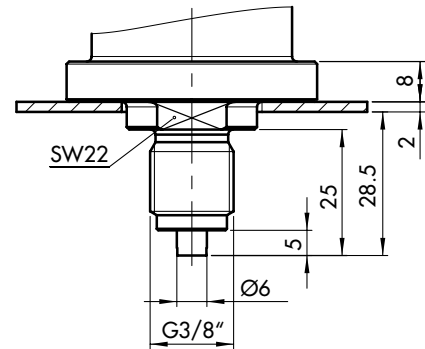




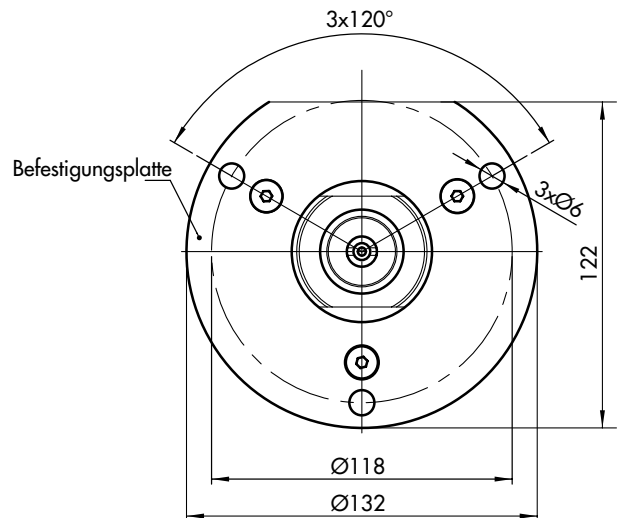
DRUCKANSCHLÜSSE / CONNECTIONS DE PRESSION / PRESSURE CONNECTIONS



1.4435/1.4404¹⁾: XXXX.XX.1000.XX.XX.XX



1.4435/1.4404¹⁾: XXXX.XX.1015.XX.XX.XX

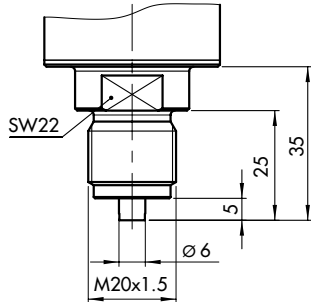


1.4435/1.4404¹⁾: XXXX.XX.1110.XX.XX.XX

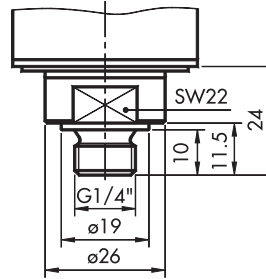
¹⁾ für/ pour/ for Type: 8716/26/36/46, 8718/28/38/48 Data sheet H72511, H72513

³⁾ O-Ring Dimension

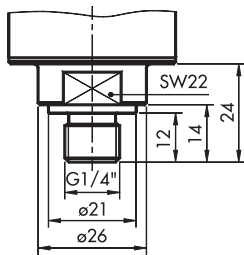
DRUCKANSCHLÜSSE / CONNECTIONS DE PRESSION / PRESSURE CONNECTIONS



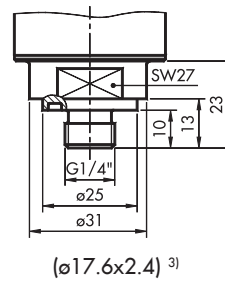
1.4435/1.4404¹⁾: XXXX.XX **1120** XX.XX.XX



1.4435/1.4404¹⁾: XXXX.XX **1200** XX.XX.XX



1.4435/1.4404¹⁾: XXXX.XX **1210** XX.XX.XX

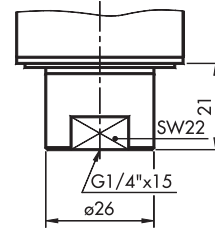
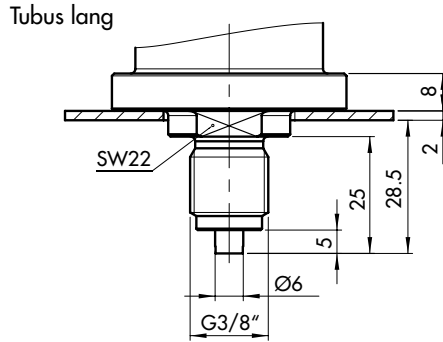


1.4435/1.4404¹⁾: XXXX.XX **1300** XX.XX.XX

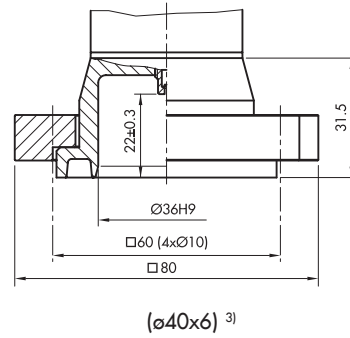
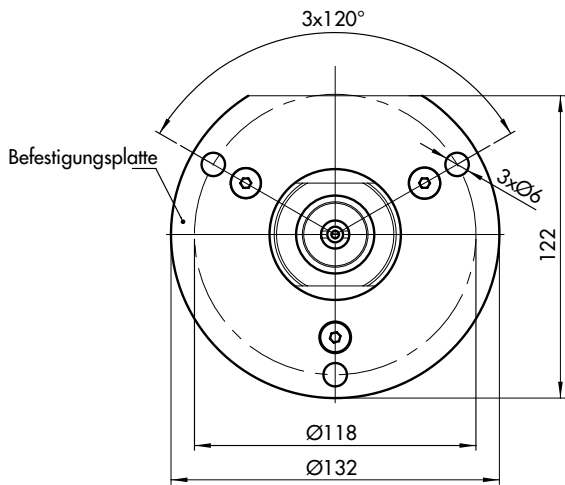
¹⁾ für/ pour/ for Type: 8716/26/36/46, 8718/28/38/48 Data sheet H72511, H72513

³⁾ O-Ring Dimension

DRUCKANSCHLÜSSE / CONNECTIONS DE PRESSION / PRESSURE CONNECTIONS

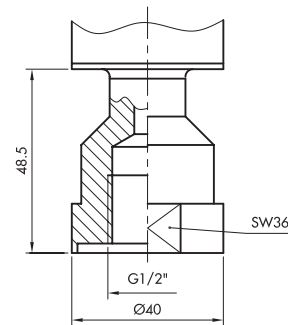
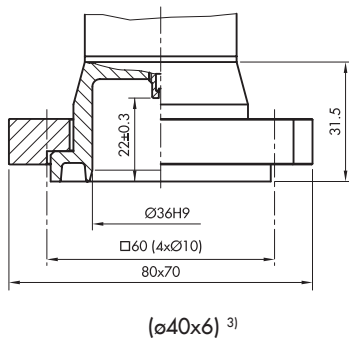


1.4435/1.4404¹⁾: XXXX.XX.1500.XX.XX.XX



1.4435/1.4404¹⁾: XXXX.XX.1310.XX.XX.XX

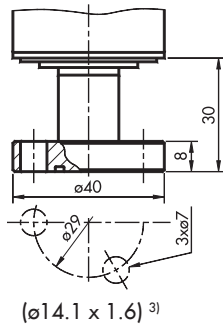
1.4435/1.4404¹⁾: XXXX.XX.2000.XX.XX.XX



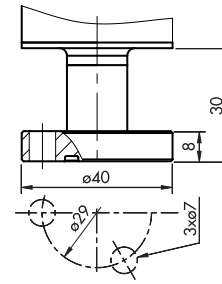
1.4435/1.4404¹⁾: XXXX.XX.2001.XX.XX.XX

1.4435/1.4404¹⁾: XXXX.XX.2010.XX.XX.XX

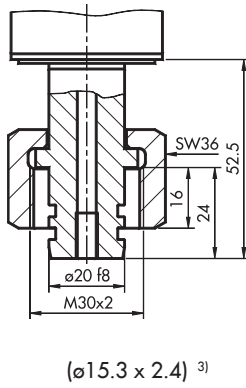
DRUCKANSCHLÜSSE / CONNECTIONS DE PRESSION / PRESSURE CONNECTIONS



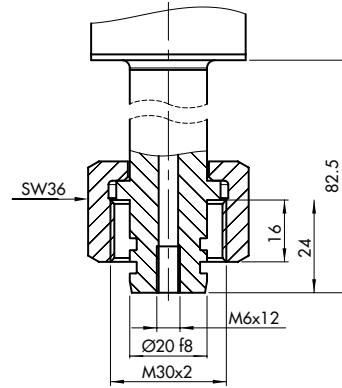
1.4435/1.4404¹⁾: XXXX.XX **2200** XX.XX.XX



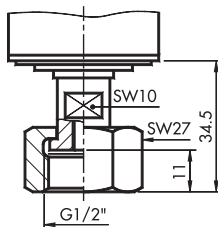
1.4435/1.4404¹⁾: XXXX.XX **2220** XX.XX.XX



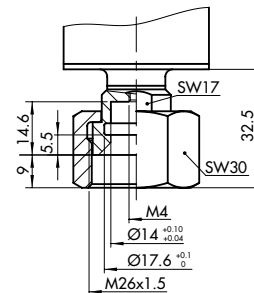
1.4435/1.4404¹⁾: XXXX.XX **2300** XX.XX.XX



1.4435/1.4404¹⁾: XXXX.XX **2310** XX.XX.XX



1.4435/1.4404¹⁾: XXXX.XX **2500** XX.XX.XX



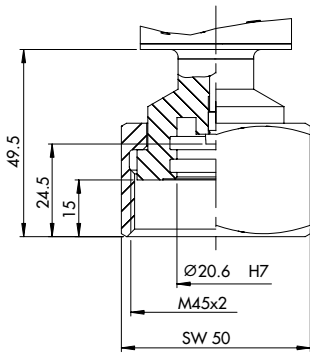
1.4435/1.4404¹⁾: XXXX.XX **2550** XX.XX.XX

for Dilo DN 8

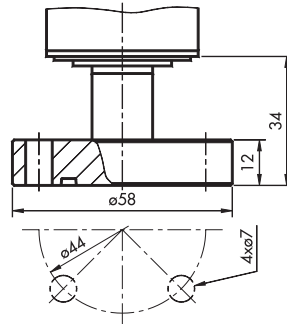
¹⁾ für/ pour/ for Type: 8716/26/36/46, 8718/28/38/48 Data sheet H72511, H72513

³⁾ O-Ring Dimension

DRUCKANSCHLÜSSE / CONNECTIONS DE PRESSION / PRESSURE CONNECTIONS

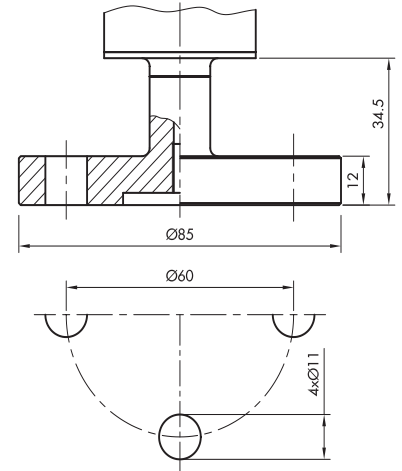


1.4435/1.4404¹⁾: XXXX.XX **2570**.XX.XX.XX
for Dilo DN 20

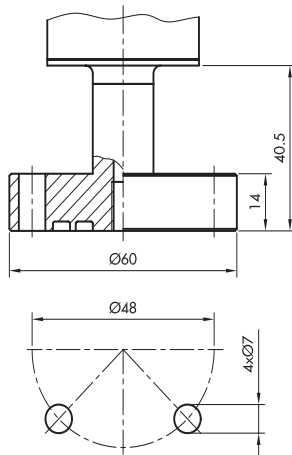


(ø 27 x 2.5)³⁾

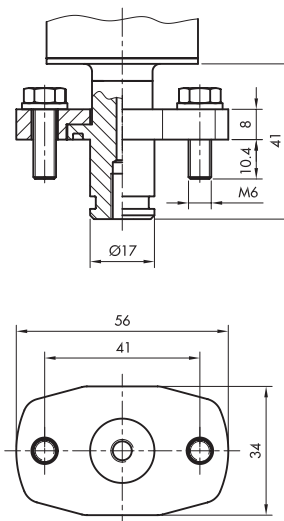
1.4435/1.4404¹⁾: XXXX.XX **2600**.XX.XX.XX



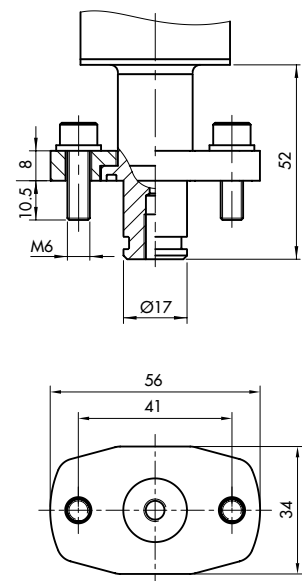
1.4435/1.4404¹⁾: XXXX.XX **2620**.XX.XX.XX



1.4435/1.4404¹⁾: XXXX.XX **2700**.XX.XX.XX



1.4435/1.4404¹⁾: XXXX.XX **2800**.XX.XX.XX



1.4435/1.4404¹⁾: XXXX.XX **2801**.XX.XX.XX

¹⁾ für/ pour/ for Type: 8716/26/36/46, 8718/28/38/48 Data sheet H72511, H72513

³⁾ O-Ring Dimension



Trafag entwickelt und produziert auch speziell auf Ihre Bedürfnisse zugeschnittene Produkte. Bitte fragen Sie uns an.
Trafag développe et fabrique des produits adaptés à vos besoins spécifiques en se basant sur votre cahier des charges. Contactez-nous s.v.p.
Trafag develops and manufactures customized products according to your specifications to meet your requirements. Please contact us.